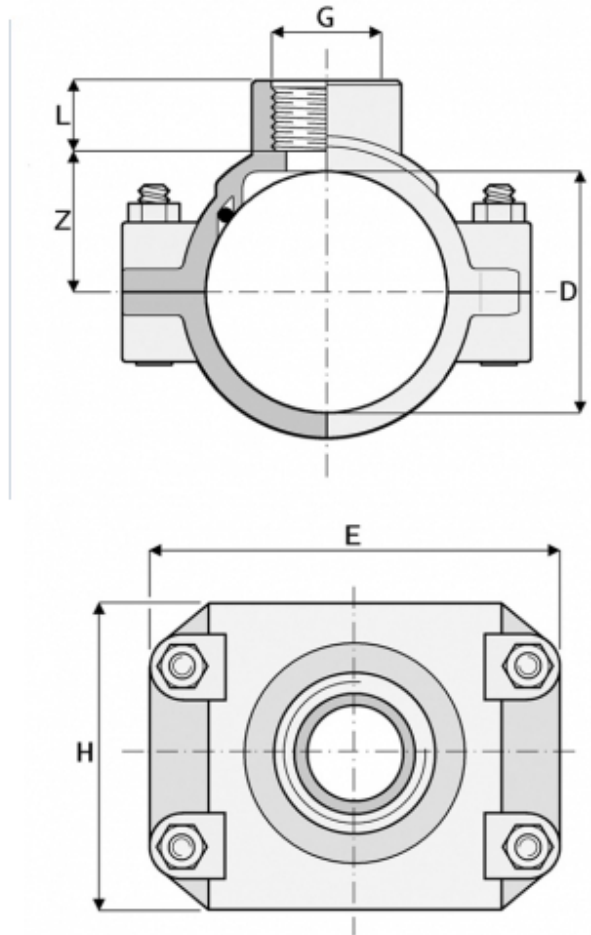


DIMENSIONALI

DxG	L	Z	E	H	g	N° Viti	Viti	Ref.
20x1/2"	17	16	62	37.5	56	2	M6x35	1S.505.20B.00F
25x1/2"	18.5	18.5	69	43	67	2	M6x35	1S.505.25B.00F
25x3/4"	18.5	18.5	69	43	71	2	M6x35	1S.505.25C.00F
32x1/2"	18.5	22.5	78	45	99	2	M8x45	1S.505.32B.00F
32x3/4"	18.5	22.5	78	45	103	2	M8x45	1S.505.32C.00F
32x1"	18.5	22.5	91	60	138	2	M8x45	1S.505.32D.00F
40x1/2"	22	27	84	51	119	2	M8x45	1S.505.40B.00F
40x3/4"	22	27	84	51	125	2	M8x45	1S.505.40C.00F
40x1"	22	27	84	51	132	2	M8x45	1S.505.40D.00F
50x1/2"	22	32.5	87	53	119	2	M8x45	1S.505.50B.00F
50x3/4"	22	32.5	87	53	123	2	M8x45	1S.505.50C.00F
50x1"	22	32.5	87	53	132	2	M8x45	1S.505.50D.00F
63x1/2"	17	40	100	71	237	4	M8x50	1S.505.63B.00F
63x3/4"	20	40	100	71	244	4	M8x50	1S.505.63C.00F

DxG	L	Z	E	H	g	N° Viti	Viti	Ref.
63x1"	22	40	100	71	249	4	M8x50	1S.505.63D.00F
63x1 1/4"	24	40	100	71	260	4	M8x50	1S.505.63E.00F
63x1 1/2"	24	40	100	71	267	4	M8x50	1S.505.63F.00F
75x1/2"	17	44.5	120	91	312	4	M8x50	1S.505.75B.00F
75x3/4"	20	44.5	120	91	319	4	M8x50	1S.505.75C.00F
75x1"	22	44.5	120	91	329	4	M8x50	1S.505.75D.00F
75x1 1/4"	24	44.5	120	91	360	4	M8x50	1S.505.75E.00F
75x1 1/2"	24	44.5	120	91	342	4	M8x50	1S.505.75F.00F
75x2"	26	44.5	120	91	346	4	M8x50	1S.505.75G.00F
90x1/2"	17	52	137	91	358	4	M8x60	1S.505.90B.00F
90x3/4"	20	52	137	91	360	4	M8x60	1S.505.90C.00F
90x1"	22	52	137	91	367	4	M8x60	1S.505.90D.00F
90x1 1/4"	24	52	137	91	370	4	M8x60	1S.505.90E.00F
90x1 1/2"	24	52	137	91	380	4	M8x60	1S.505.90F.00F
90x2"	26	52	137	91	390	4	M8x60	1S.505.90G.00F
110x1/2"	17	65	155	98.5	403	4	M8x60	1S.505.11B.00F
110x3/4"	20	65	155	98.5	407	4	M8x60	1S.505.11C.00F
110x1"	22	65	155	98.5	417	4	M8x60	1S.505.11D.00F
110x1 1/4"	24	65	155	98.5	430	4	M8x60	1S.505.11E.00F
110x1 1/2"	24	65	155	98.5	438	4	M8x60	1S.505.11F.00F
110x2"	24	65	155	98.5	451	4	M8x60	1S.505.11G.00F
110x3"	33	65	155	98,5	537	4	M8x60	1S.505.11I.00F
125x3/4"	20	73.5	168	101	540	4	M8x60	1S.505.13C.00F
125x1"	22	73.5	168	101	543	4	M8x60	1S.505.13D.00F
125x1 1/4"	24	73.5	168	101	545	4	M8x60	1S.505.13E.00F
125x1 1/2"	24	73.5	168	101	548	4	M8x60	1S.505.13F.00F
125x2"	24	73.5	168	101	552	4	M8x60	1S.505.13G.00F
140x1"	22	80	189	134	921	6	M8x60	1S.505.15D.00F
140x1 1/4"	24	80	189	134	923	6	M8x60	1S.505.15E.00F
140x1 1/2"	24	80	189	134	926	6	M8x60	1S.505.15F.00F
140x2	24	80	189	134	930	6	M8x60	1S.505.15G.00F
140x2 1/2"	24	80	189	134	937	6	M8x60	1S.505.15H.00F
140x3"	33	80	189	134	944	6	M8x60	1S.505.15I.00F
160x3/4"	22	88	213	137	987	6	M8x60	1S.505.17C.00F
160x1"	22	88	213	137	991	6	M8x60	1S.505.17D.00F
160x1 1/4"	24	88	213	137	994	6	M8x60	1S.505.17E.00F
160x1 1/2"	24	88	213	137	996	6	M8x60	1S.505.17F.00F

DxG	L	Z	E	H	g	N° Viti	Viti	Ref.
160x2"	28.5	88	213	137	1000	6	M8x60	1S.505.17G.00F
160x3"	36	88	213	137	1014	6	M8x60	1S.505.17I.00F
180x1 1/4"	24	115	265	171	2289	6	M10x80	1S.505.18E.00
180x1 1/2"	24	115	265	171	2292	6	M10x80	1S.505.18F.00
180x2"	24	115	265	171	2296	6	M10x80	1S.505.18G.00
180x3"	33	115	265	171	2310	6	M10x80	1S.505.18I.00
180x4"	42	115	265	171	2314	6	M10x80	1S.505.18L.00F
200x1 1/4"	24	115	265	171	2019	6	M10x80	1S.505.21E.00
200x1 1/2"	24	115	265	171	2022	6	M10x80	1S.505.21F.00
200x2"	24	115	265	171	2026	6	M10x80	1S.505.21G.00
200x3"	33	115	265	171	2040	6	M10x80	1S.505.21I.00
200x4"	42	115	265	171	2044	6	M10x80	1S.505.21L.00
225x1 1/4"	24	127.5	280	173	2165	6	M10x80	1S.505.23E.00
225x1 1/2"	24	127.5	280	173	2145	6	M10x80	1S.505.23F.00
225x2"	24	127.5	280	173	2155	6	M10x80	1S.505.23G.00
225x3"	33	127.5	280	173	2180	6	M10x80	1S.505.23I.00
225x4"	42	127.5	280	173	2210	6	M10x80	1S.505.23L.00
250x1 1/4"	24	142	313	181	2545	6	M10x80	1S.505.26E.00
250x1 1/2"	24	142	313	181	2548	6	M10x80	1S.505.26F.00
250x2"	22.4	142	313	181	2552	6	M10x80	1S.505.26G.00
250x3"	33	142	313	181	2566	6	M10x80	1S.505.26I.00
250x4"	42	142	313	181	2570	6	M10x80	1S.505.26L.00
280x1 1/4"	24	171	385	190	4069	6	M10x80	1S.505.28E.00
280x1 1/2"	24	171	385	190	4072	6	M10x80	1S.505.28F.00
280x2"	24	171	385	190	4076	6	M10x80	1S.505.28G.00
280x3"	33	171	385	190	4090	6	M10x80	1S.505.28I.00
280x4"	42	171	385	190	4094	6	M10x80	1S.505.28L.00
315x1 1/4"	24	171	385	190	3168	6	M10x80	1S.505.33E.00
315x1 1/2"	24	171	385	190	3171	6	M10x80	1S.505.33F.00
315x2"	24	171	385	190	3175	6	M10x80	1S.505.33G.00
315x3"	33	171	385	190	3189	6	M10x80	1S.505.33I.00
315x4"	42	171	385	190	3193	6	M10x80	1S.505.33L.00



DIMENSIONALI

DxGxG	L	Z	E	H	g	n° Bolts	Bolts	Ref.
20x1/2"x1/2"	17	16	62	37.5	61	2	M6x35	1S.508.20B.00
25x1/2"x1/2"	18.5	18.5	69	43	53	2	M6x35	1S.508.25B.00
25x3/4"x3/4"	18.5	18.5	69	43	79	2	M6x35	1S.508.25C.00
32x1/2"x1/2"	18.5	22.5	78	45	106	2	M8x45	1S.508.32B.00
32x3/4"x3/4"	18.5	22.5	78	45	114	2	M8x45	1S.508.32C.00
32x1"x1"	18.5	22.5	91	60	154	2	M8x45	1S.508.32D.00
40x1/2"x1/2"	22	27	84	51	132	2	M8x45	1S.508.40B.00
40x3/4"x3/4"	22	27	84	51	144	2	M8x45	1S.508.40C.00
40x1"x1"	22	27	84	51	156	2	M8x45	1S.508.40D.00
50x1/2"x1/2"	22	32.5	87	53	126	2	M8x50	1S.508.50B.00
50x3/4"x3/4"	22	32.5	87	53	140	2	M8x50	1S.508.50C.00
50x1"x1"	22	32.5	87	53	154	2	M8x50	1S.508.50D.00
63x1/2"x1/2"	17	40	100	71	250	4	M8x50	1S.508.63B.00
63x3/4"x3/4"	20	40	100	71	252	4	M8x50	1S.508.63C.00

63x1"x1"	22	40	100	71	272	4	M8x50	1S.508.63D.00
63x1 1/4"x1 1/4"	24	40	100	71	292	4	M8x50	1S.508.63E.00
63x1 1/2"x1 1/2"	24	40	100	71	308	4	M8x50	1S.508.63F.00
75x1/2"x1/2"	17	44.5	170	91	320	4	M8x60	1S.508.75B.00
75x3/4"x3/4"	20	44.5	170	91	324	4	M8x60	1S.508.75C.00
75x1"x1"	22	44.5	170	91	340	4	M8x60	1S.50875D.00
75x1 1/4"x1 1/4"	24	44.5	170	91	356	4	M8x60	1S.50875E.00
75x1 1/2"x1 1/2"	24	44.5	170	91	364	4	M8x60	1S.50875F.00
75x2"x2"	26	44.5	170	91	392	4	M8x60	1S.508.75G.00
90x1/2"x1/2"	17	52	137	91	362	4	M8x60	1S.508.90B.00
90x3/4"x3/4"	20	52	137	91	366	4	M8x60	1S.508.90C.00
90x1"x1"	22	52	137	91	374	4	M8x60	1S.508.90D.00
90x1 1/4"x1 1/4"	24	52	137	91	392	4	M8x60	1S.508.90E.00
90x1 1/2"x1 1/2"	24	52	137	91	398	4	M8x60	1S.508.90F.00
90x2"x2"	26	52	137	91	414	4	M8x60	1S.508.90G.00
110x1/2"x1/2"	17	65	155	98.5	408	4	M8x60	1S.508.11B.00
110x3/4"x3/4"	20	65	155	98.5	414	4	M8x60	1S.508.11C.00
110x1"x1"	22	65	155	98.5	422	4	M8x60	1S.508.11D.00
110x1 1/4"x1 1/4"	24	65	155	98.5	450	4	M8x60	1S.508.11E.00
110x1 1/2"x1 1/2"	24	65	155	98.5	466	4	M8x60	1S.508.11F.00
110x2"x2"	24	65	155	98.5	494	4	M8x60	1S.50811G.00
110x3"x3"	33	65	159	118.5	730	4	M8x60	1S.508.11I.00
125x3/4"x3/4"	20	73.5	168	101	540	4	M8x60	1S.508.13C.00
125x1"x1"	22	73.5	168	101	553	4	M8x60	1S.508.13D.00
125x1 1/4"x1 1/4"	24	73.5	168	101	575	4	M8x60	1S.508.13E.00
125x1 1/2"x1 1/2"	24	73.5	168	101	589	4	M8x60	1S.508.13F.00
125x2"x2"	24	73.5	168	101	615	4	M8x60	1S.508.13G.00
140x1"x1"	22	80	189	134	968	6	M8x75	1S.508.15D.00
140x1 1/4"x1 1/4"	24	80	189	134	985	6	M8x75	1S.508.15E.00
140x1 1/2"x1 1/2"	24	80	189	134	995	6	M8x75	1S.508.15F.00
140x2"x2"	24	80	189	134	1015	6	M8x75	1S.508.15G.00
140x2 1/2"x2 1/2"	24	80	189	134	1070	6	M8x75	1S.508.15H.00
140x3"x3"	33	80	189	134	1200	6	M8x75	1S.508.15I.00
160x3/4"x3/4"	22	88	213	137	1045	6	M8x75	1S.508.17C.00
160x1"x1"	22	88	213	137	1045	6	M8x75	1S.508.17D.00
160x1 1/4"x1 1/4"	24	88	213	137	1080	6	M8x75	1S.508.17E.00
160x1 1/2"x1 1/2"	24	88	213	137	1098	6	M8x75	1S.508.17F.00

160x2"x2"	28.5	88	213	135	1135	6	M8x75	1S.508.17G.00
160x3"x3"	36	88	213	135	1120	6	M8x75	1S.508.17I.00
180x1 1/4"x1 1/4"	24	115	265	171	2356	6	M10x80	1S.508.18E.00
180x1 1/2"x1 1/2"	24	115	265	171	2380	6	M10x80	1S.508.18F.00
180x2"x2"	24	115	265	171	2460	6	M10x80	1S.508.18G.00
180x3"x3"	33	115	265	171	2660	6	M10x80	1S.508.18I.00
180x4"x4"	42	115	265	171	2840	6	M10x80	1S.508.18L.00
200x1 1/4"x1 1/4"	24	115	265	171	1910	6	M10x80	1S.508.21E.00
200x1 1/2"x1 1/2"	24	115	265	171	1935	6	M10x80	1S.508.21F.00
200x2"x2"	24	115	265	171	1980	6	M10x80	1S.508.21G.00
200x3"x3"	33	115	265	171	2200	6	M10x80	1S.508.21I.00
200x4"x4"	42	115	265	171	2380	6	M10x80	1S.508.21L.00
225x1 1/4"x1 1/4"	24	127.5	280	173	2110	6	M10x80	1S.508.23E.00
225x1 1/2"x1 1/2"	24	127.5	280	173	2130	6	M10x80	1S.508.23F.00
225x2"x2"	24	127.5	280	173	2195	6	M10x80	1S.508.23G.00
225x3"x3"	33	127.5	280	173	2420	6	M10x80	1S.508.23I.00
225x4"x4"	42	127.5	280	173	2600	6	M10x80	1S.508.23L.00
250x1 1/4"x1 1/4"	24	142	313	181	2580	6	M10x80	1S.508.26E.00
250x1 1/2"x1 1/2"	24	142	313	181	2600	6	M10x80	1S.508.26F.00
250x2"x2"	22.4	142	313	181	2650	6	M10x80	1S.508.26G.00
250x3"x3"	33	142	313	181	2860	6	M10x80	1S.508.26I.00
250x4"x4"	42	142	313	181	3040	6	M10x80	1S.508.26L.00
280x1 1/4"x1 1/4"	24	171	385	190	4050	6	M10x80	1S.508.28E.00
280x1 1/2"x1 1/2"	24	171	385	190	4070	6	M10x80	1S.508.28F.00
280x2"x2"	24	171	385	190	4120	6	M10x80	1S.508.28G.00
280x3"x3"	33	171	385	190	4320	6	M10x80	1S.508.28I.00
280x4"x4"	42	171	385	190	4500	6	M10x80	1S.508.28L.00
315x1 1/4"x1 1/4"	24	171	385	190	3105	6	M10x80	1S.508.33E.00
315x1 1/2"x1 1/2"	24	171	385	190	3120	6	M10x80	1S.508.33F.00
315x2"x2"	24	171	385	190	3170	6	M10x80	1S.508.33G.00
315x3"x3"	33	171	385	190	3400	6	M10x80	1S.508.33I.00
315x4"x4"	42	171	385	190	3600	6	M10x80	1S.508.33L.00