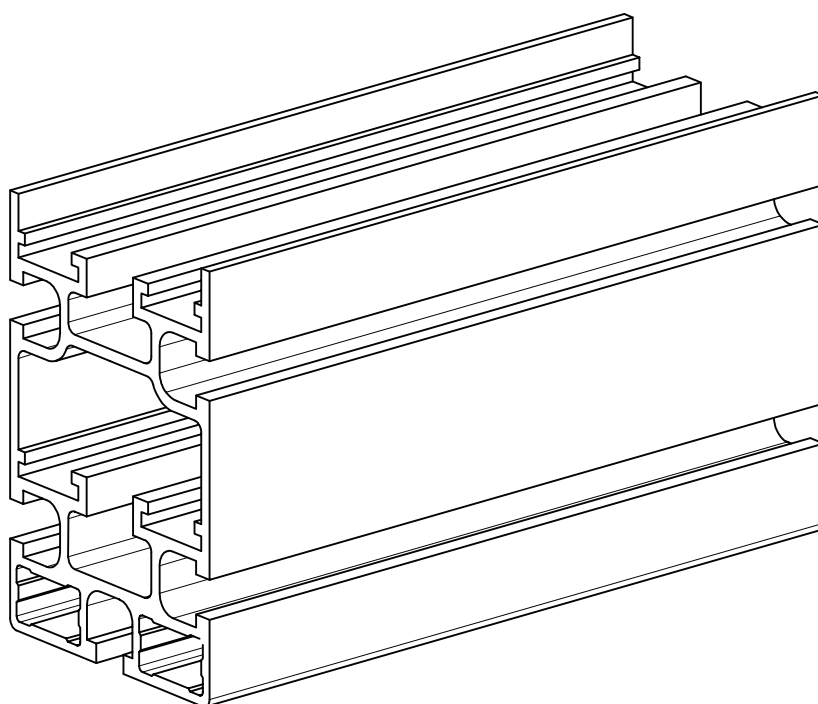
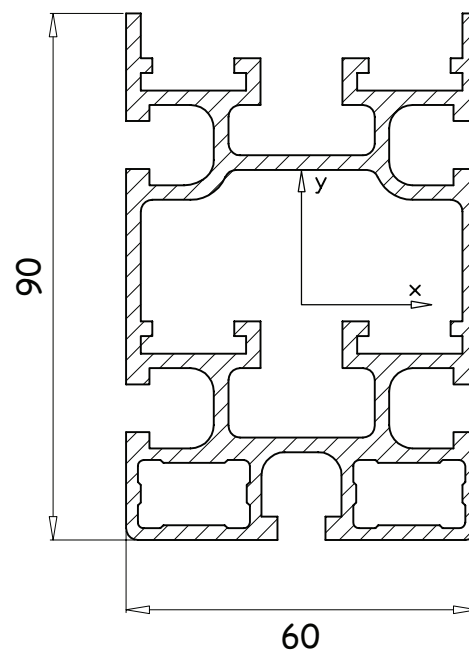


# profili estrusi cava 8

Profilo 60 x 90	
Codice	01PR08.060090.C034
Peso(Kg/m)	3.50
$I_{xx}$ Cm <sup>4</sup>	97.43
$I_{yy}$ Cm <sup>4</sup>	54.48
$W_{xx}$ Cm <sup>3</sup>	19.57
$W_{yy}$ Cm <sup>3</sup>	18.16
L = mm.	6050
Materiale	lega 6060 T5



10.10.02

01PR08-19.0